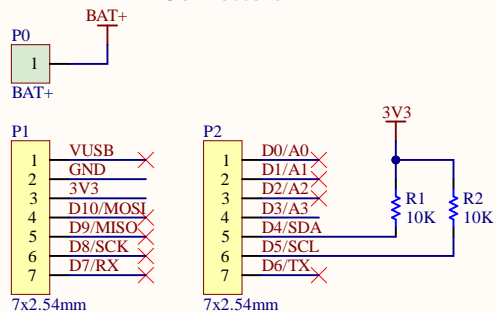
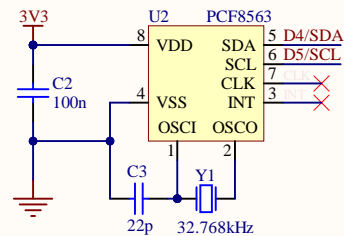


Connectors

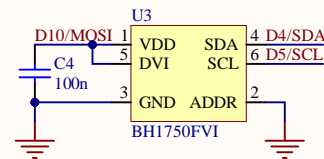


Real Time Clock



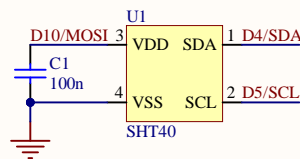
Icc = 800uA

Light Sensor



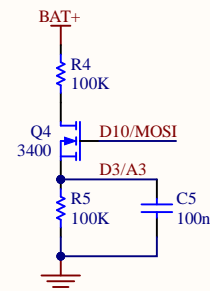
Icc = 120uA

Temperature & Humidity Sensor



Icc = 320uA

Battery Voltage Read



potblitd

Title : log^2

Project : XIAO-log

Author : potblitd

Revision : V2

Date : 12/2023

Time :

Page : 1 of 1